

KEX 110 / KEX 170

Rectifiers

Our KEX series xenon lamp power supplies are suitable for all mains voltages and frequencies.

Their robust, proven design guarantees reliable operation of a large range of xenon lamps for any projection requirements.



Top Features

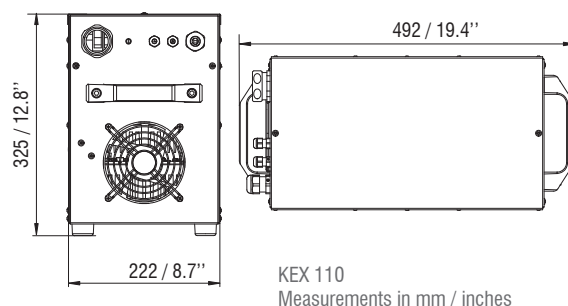
- » High efficiency
- » Very low ripple, < 2%
- » Improved arc stability
- » Longer xenon lamp life
- » Remote adjustment of lamp current through potentiometer or via projector control circuitry
- » State-of-the art switch mode operation
- » Heavy duty terminal connections
- » Easy transportation due to compact design, little weight and practical carrying handles
- » Optional LDU Light Display Unit for monitoring of lamp operation: precise readout of lamp current, lamp voltage, power, lamp operation hours with reset, total operating hours and other important features
- » Remote software enables monitoring of all display module information and control of the lamp current by PC or laptop (option for models with LDU Light Display Unit)
- » Extended remote control via RS232 with optional LDU module
- » Perfect choice for studio or screening room applications
- » Available as "G" version for external placement and as "E" version for integration in Kinoton console projectors
- » Comes as standard with our DCP Digital Cinema projectors



KEX 170 G with LDU display module (option)

Technical Data KEX 110

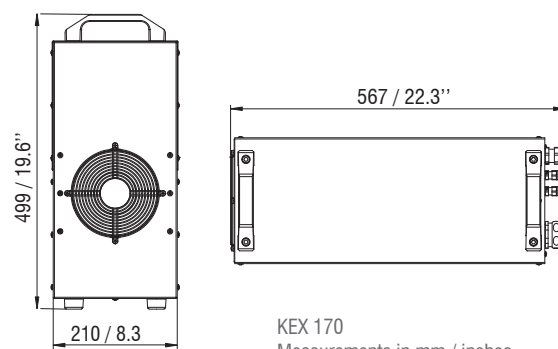
Mains Voltage	1 x 230 V +/-10%
Frequency	50 - 60 Hz
Mains Current Input max.	20 A
DC Current Range	60 A - 110 A
DC Adjustment	Continuously variable via potentiometer
DC Ripple	< 2%
Weight	17 kg



KEX 110
Measurements in mm / inches

Technical Data KEX 170

Mains Voltage	3 x 180/230 V or 3 x 350/400 V
Frequency	50 - 60 Hz
Mains Current Input max.	3 x 30 A oder 3 x 14.5 A
DC Current Range	80 A - 170 A
DC Adjustment	Continuously variable via potentiometer
DC Ripple	< 2%
Weight	45 kg (99 lbs)



KEX 170
Measurements in mm / inches