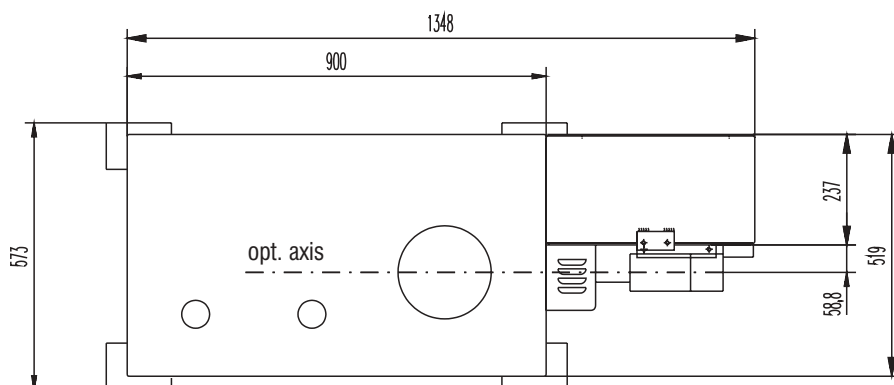
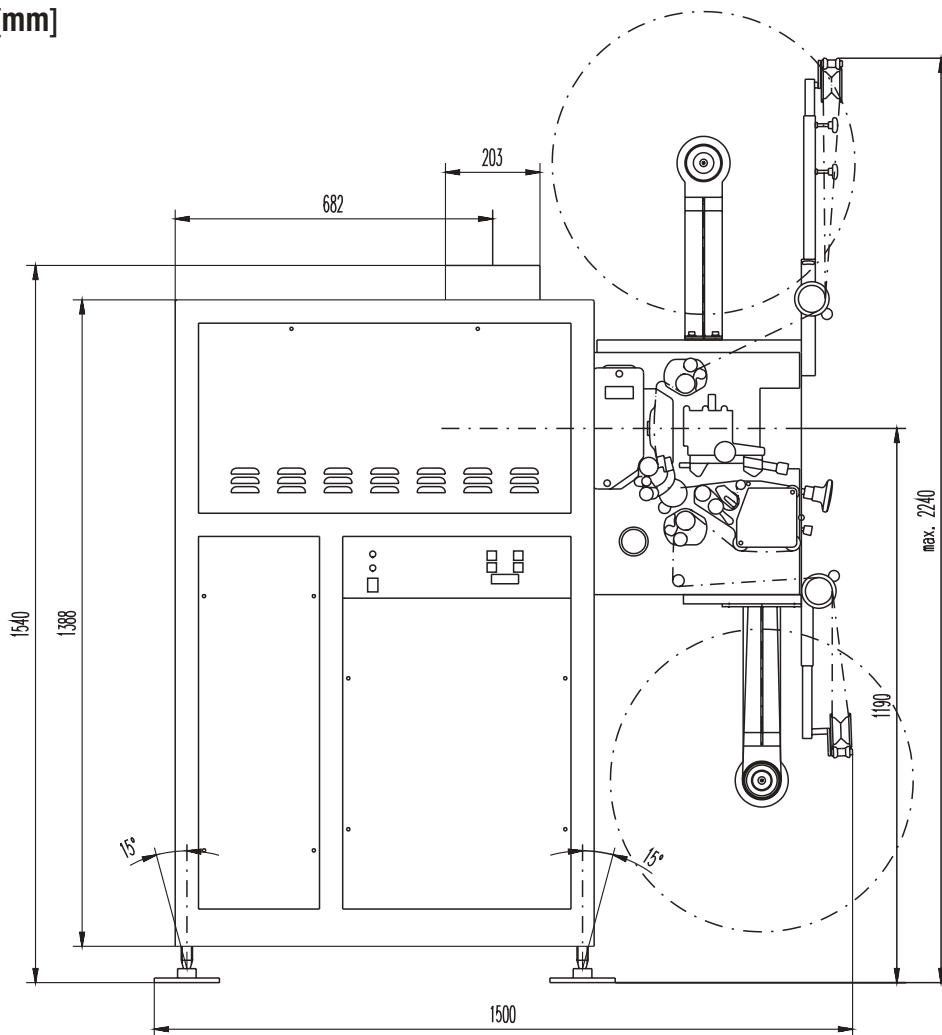


# Dimensions of FP 50 A Projector

Dimensions [mm]



See the Difference



E-mail: [welcome@kinoton.de](mailto:welcome@kinoton.de)  
Tel. +49 (0) 89/89 44 46-0  
Fax +49 (0) 89/8 40 20 02  
Industriestrasse 20a  
D-82110 Germering

Specifications subject to change. 01/2005